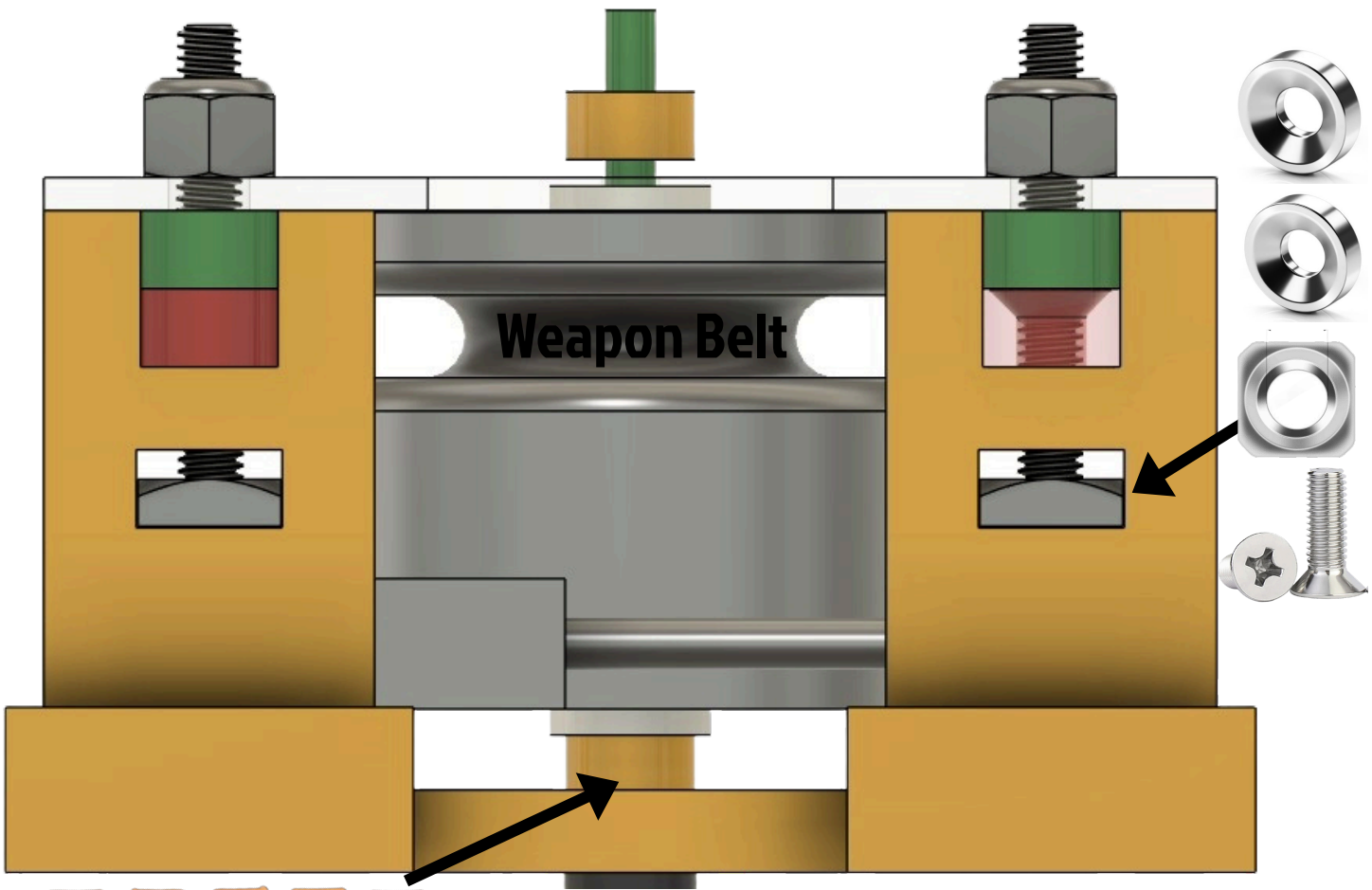
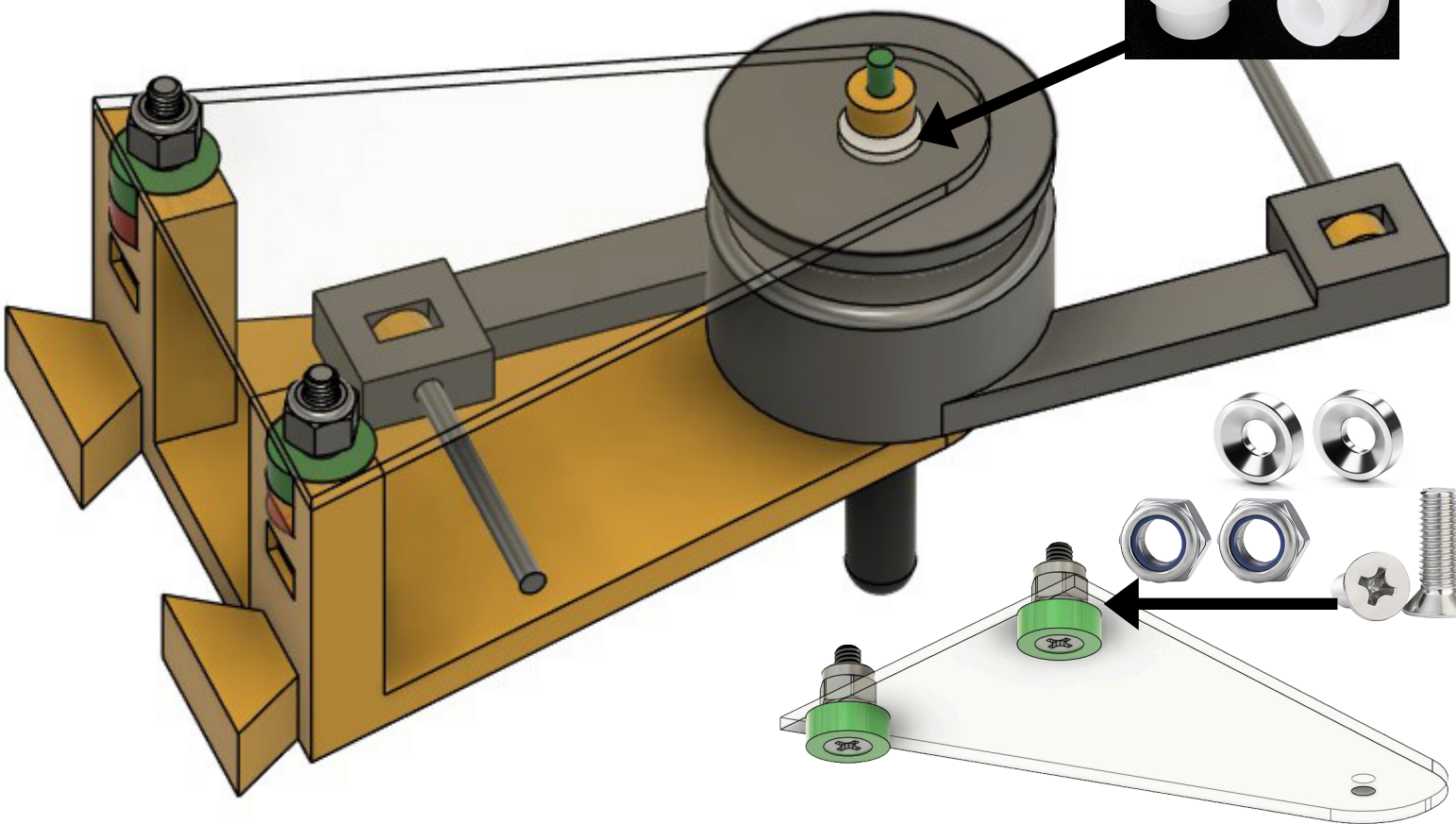
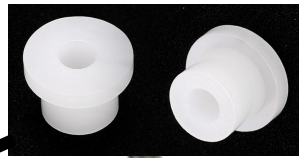


Press into top & bottom of blade (Crazy glue optional)



Shaft collar top & bottom