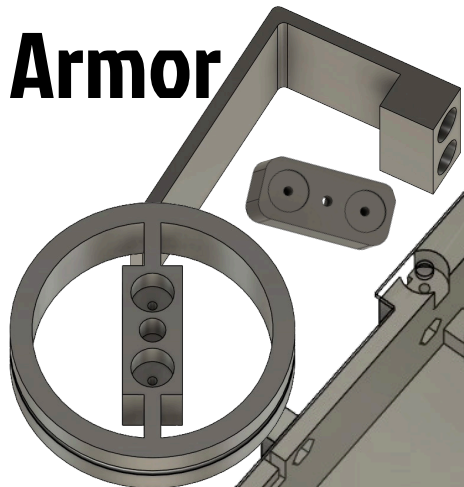


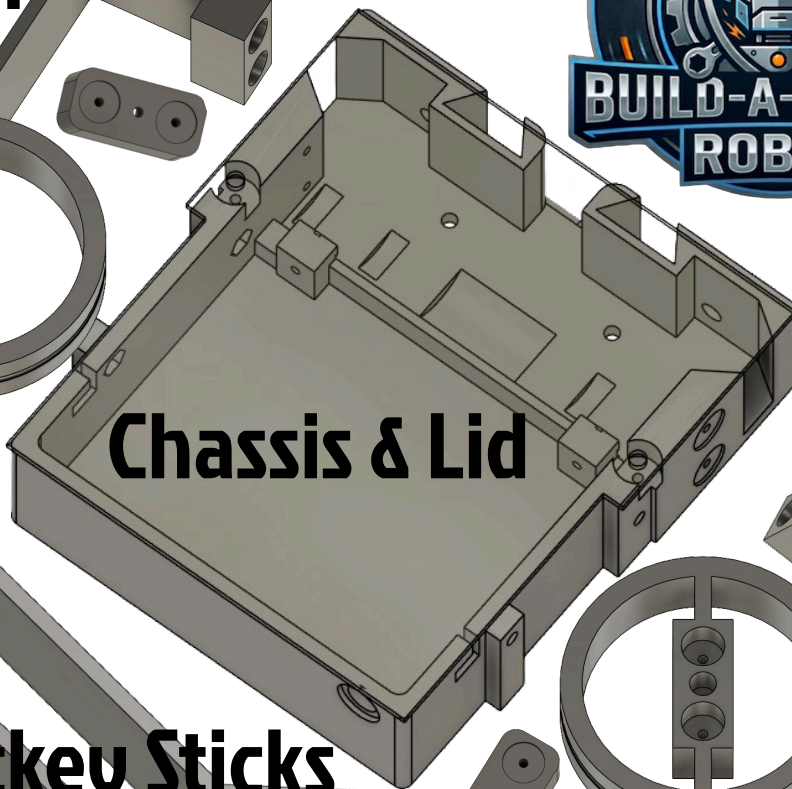
3D Printed Parts



Armor



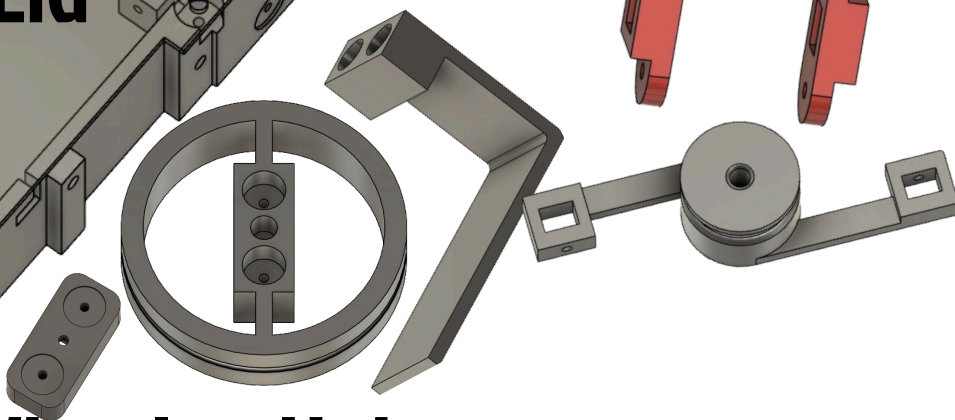
Chassis & Lid



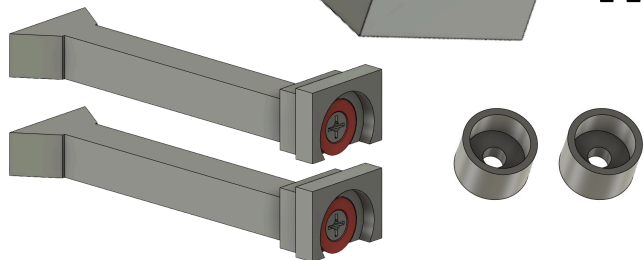
Hockey Sticks



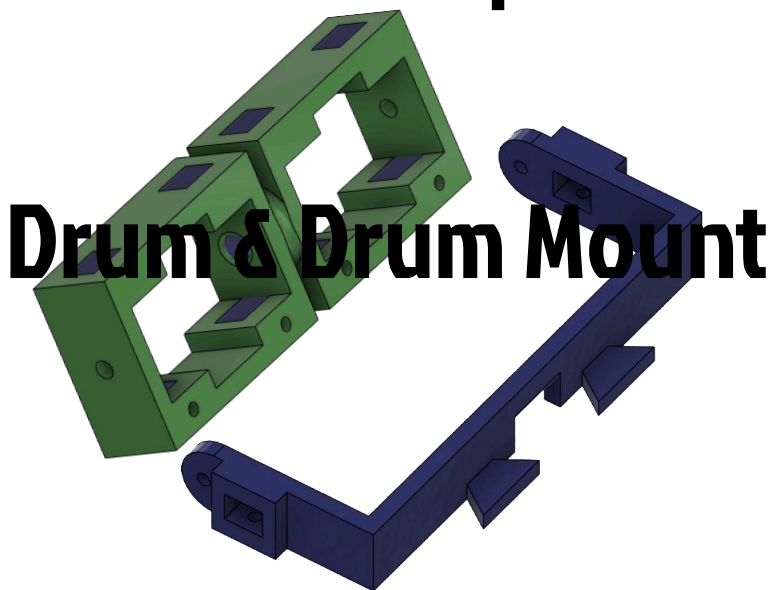
Wheels & Hubs



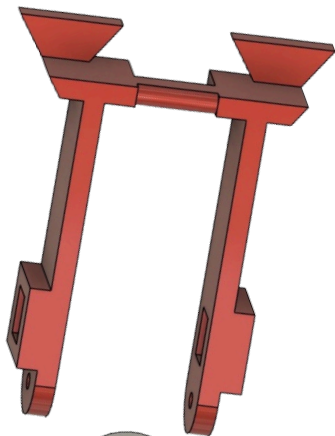
Balloon Pop



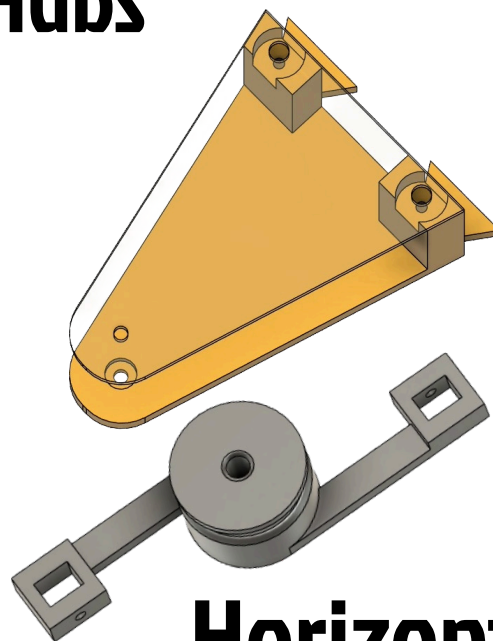
Drum & Drum Mount



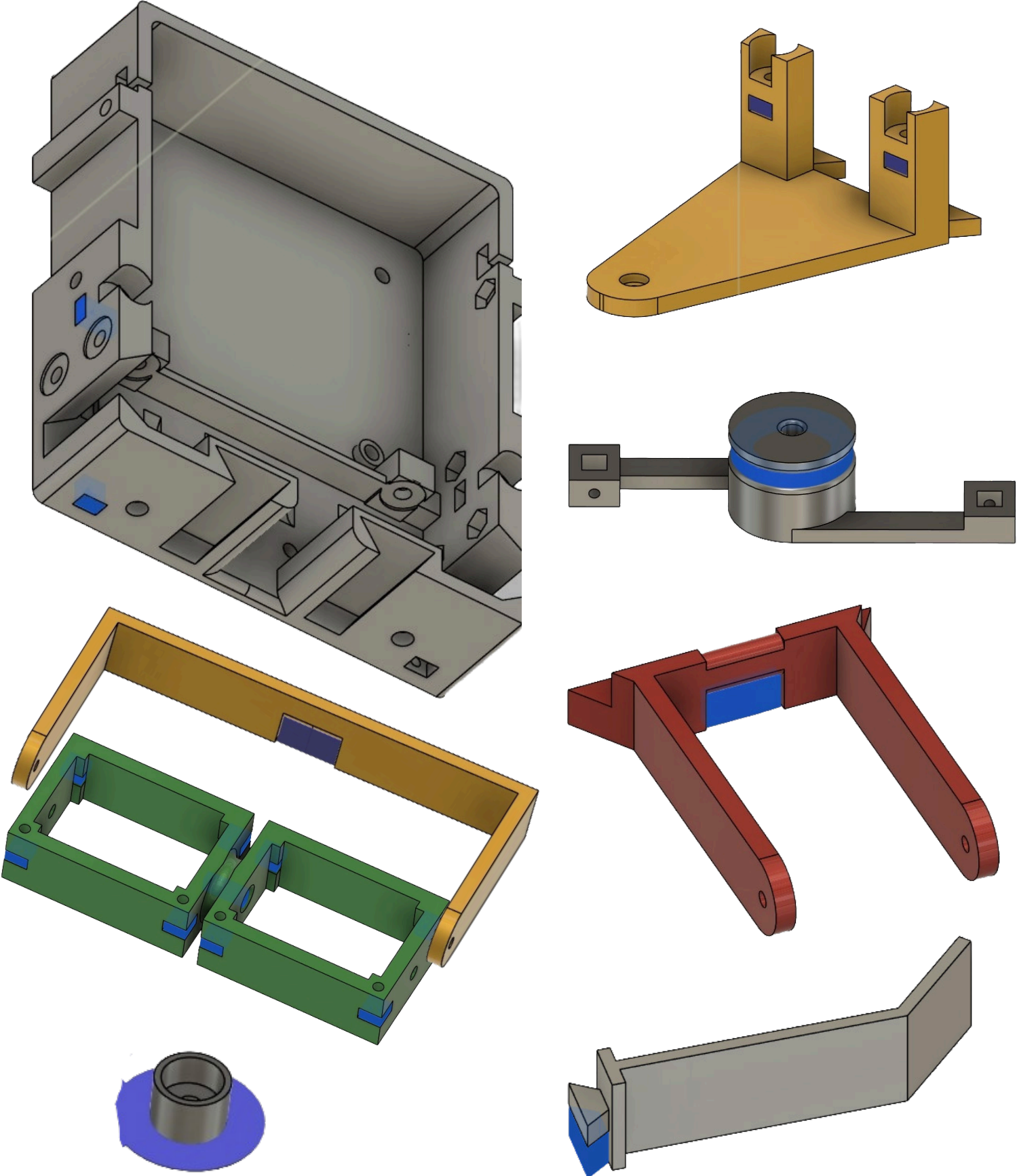
Vertical Mount & Blade



Horizontal Mount, Top Plate & Blade



3D printed part supports shown in Blue



Coming Soon: Pre designed supports