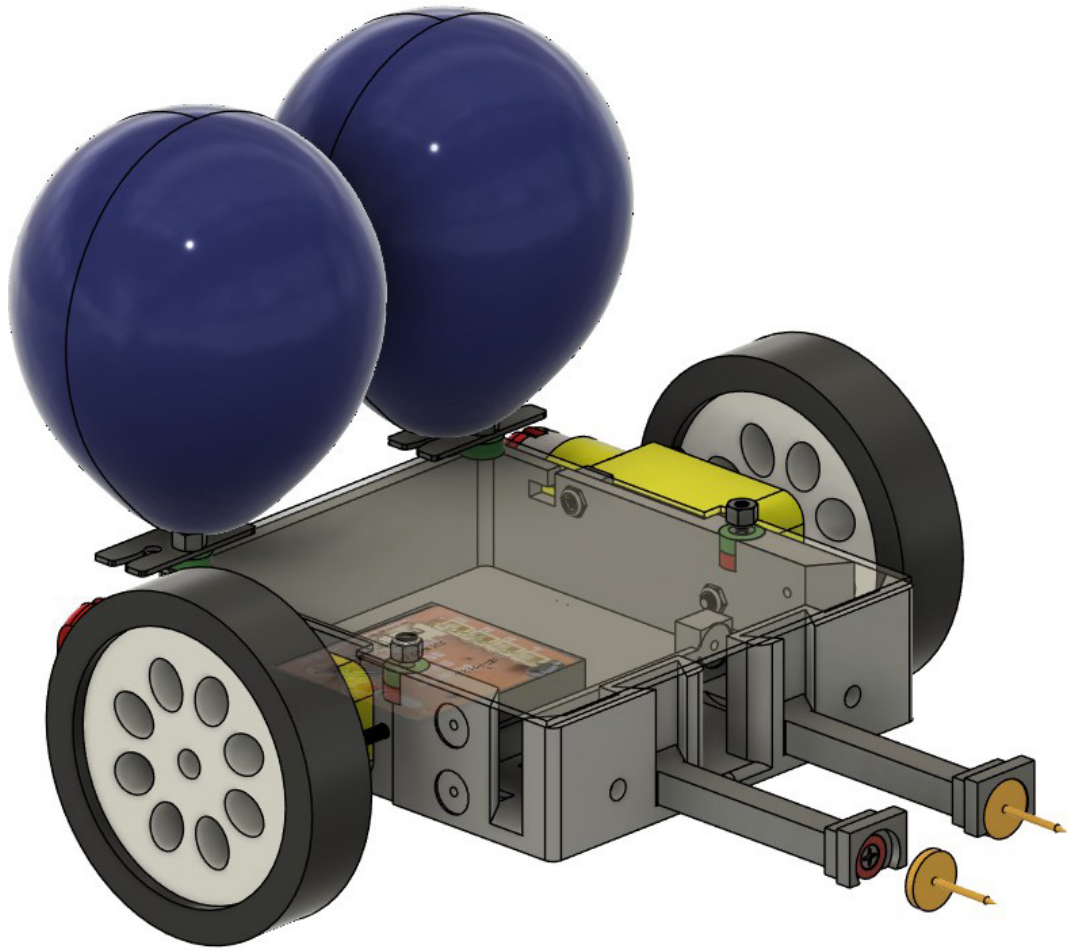


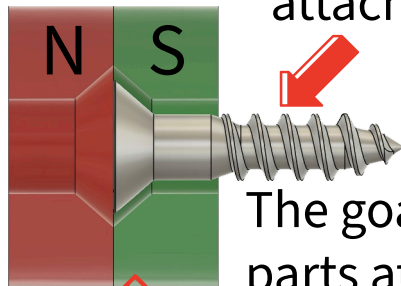
Balloon Pop



!Magnets in bags!

Don't mix from other bags

Use these screws to
attach to plastic parts

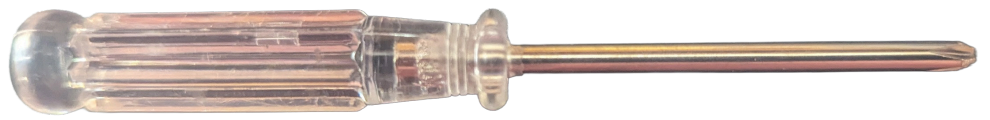


The goal is to have the
parts attract together

All screw-head will be
in the countersunk of magnet



LID Nuts do not need to be fully tighten



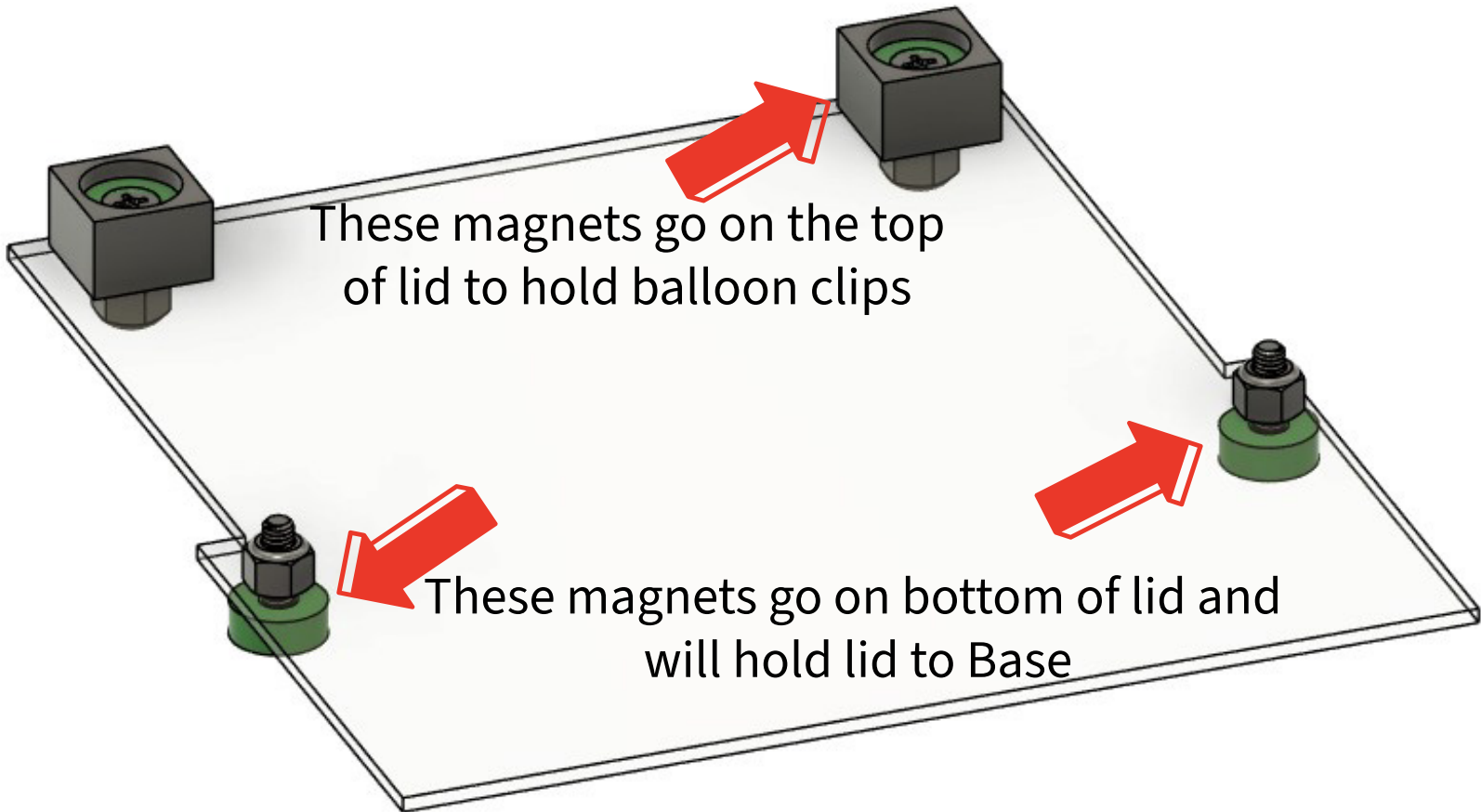
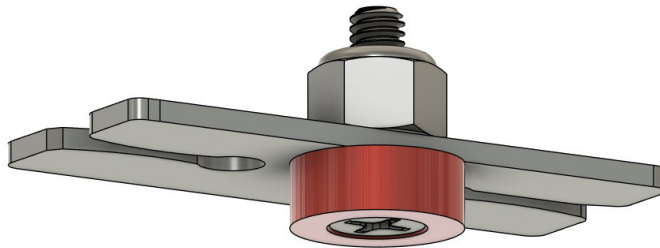
Screws & nuts for lid



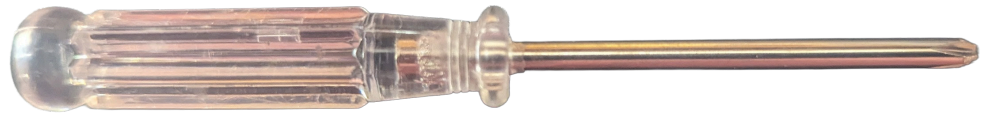
Magnets



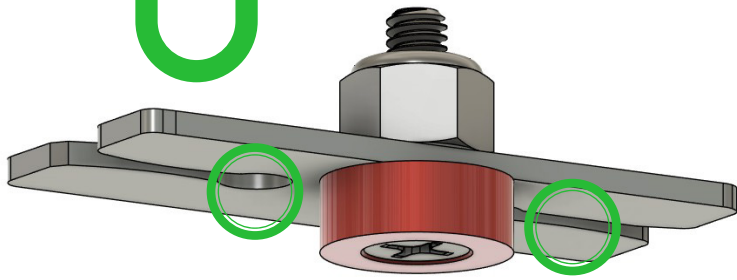
Decorations



Balloon POP Nuts do not need to be fully tighten

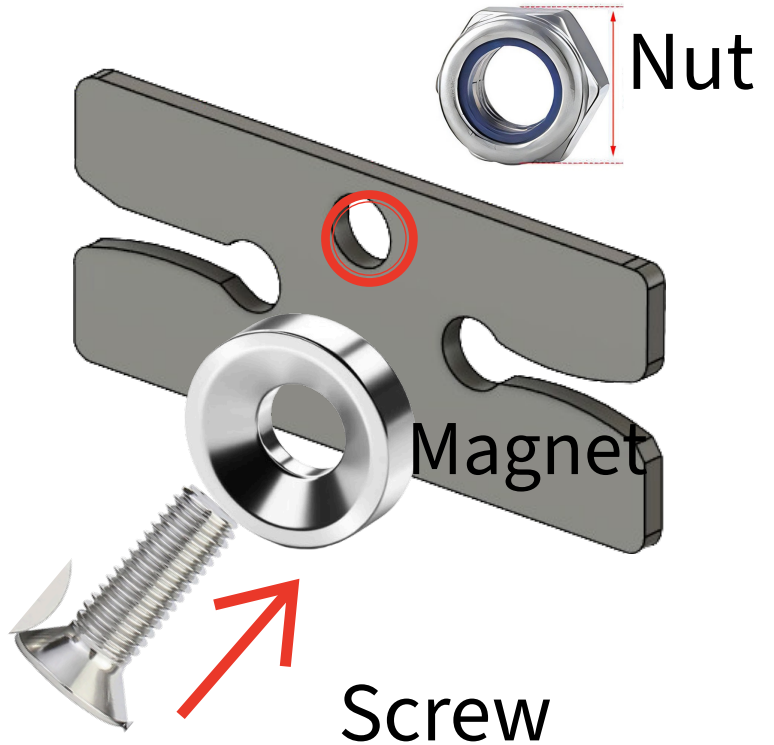


Wrap balloon

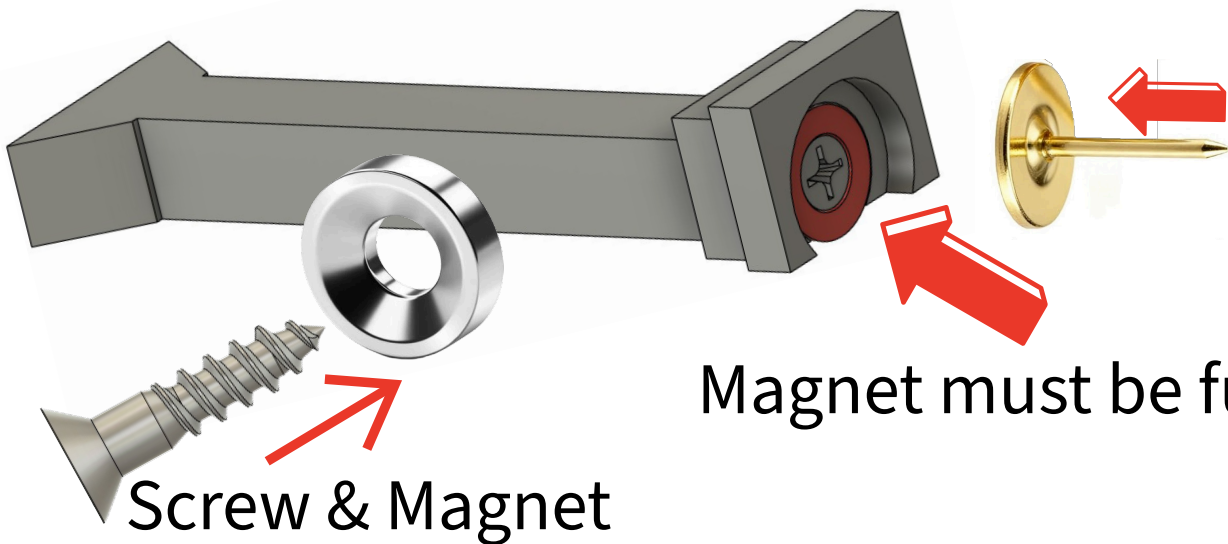


Balloon Clips

will magnet to top of lid



Balloon POP Arms



! Don't let magnet accidentally go around pin. Use pliers to remove

Magnet must be fully seated