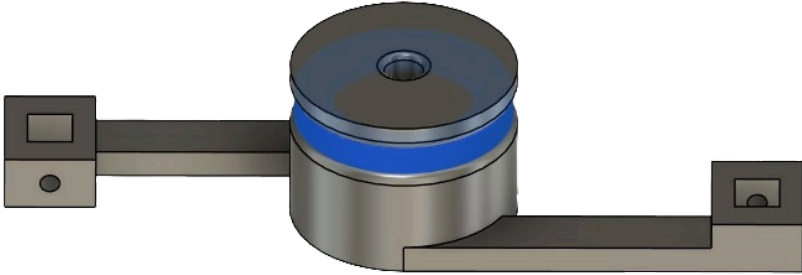


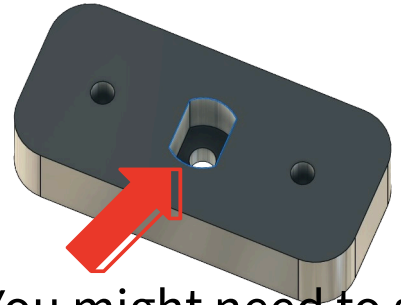
Build-A-Battle-Bot 2.6.5

1: Prep 3D printed parts

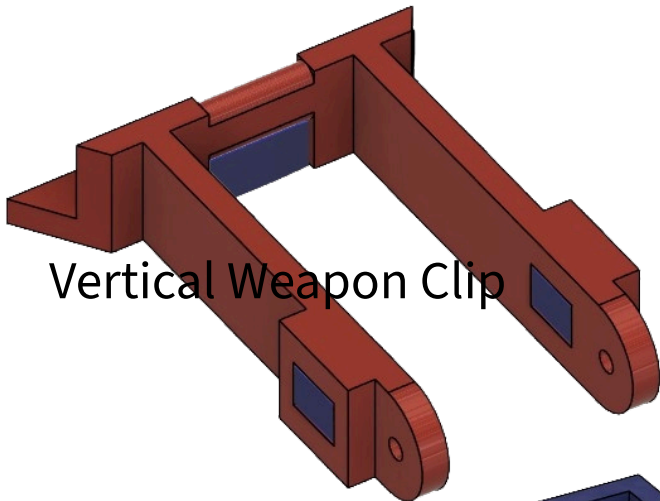
Use screwdriver to remove 3D print supports shown in blue.
Charge your batteries now so they are ready by the end of the build.



Weapon Blade



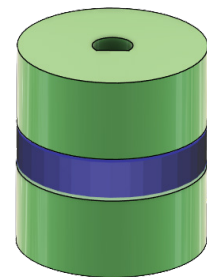
You might need to scarp the edge of the magnet wheel hub to get it to press onto the drive motor shaft



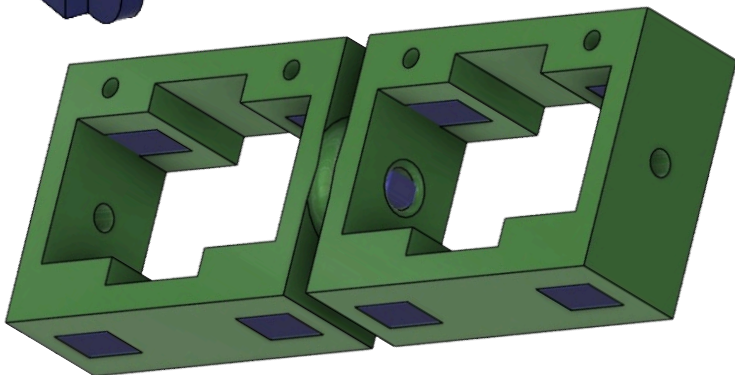
Vertical Weapon Clip



Drum Weapon

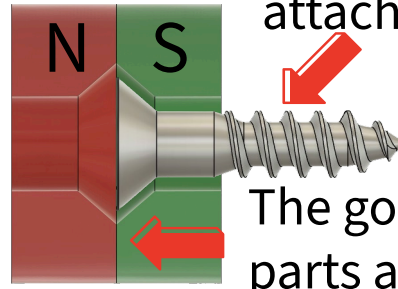
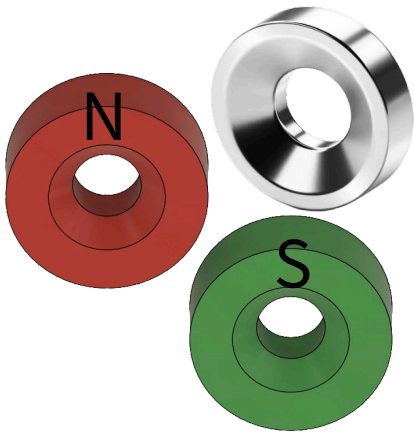


Print your own weapon pulley



2: Choose magnets to be N & S and separate

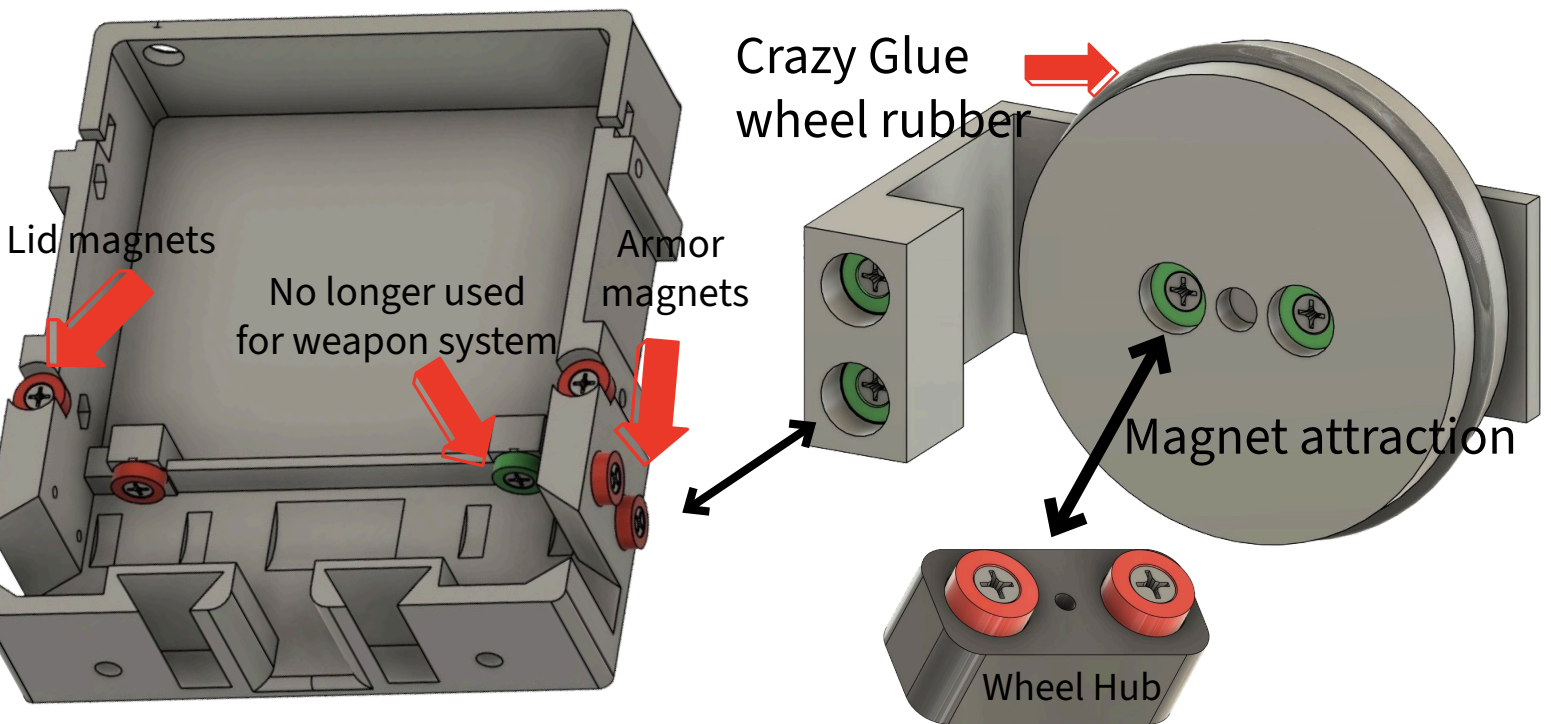
Do this with all of the bags. Magnets you choose as N&S not important



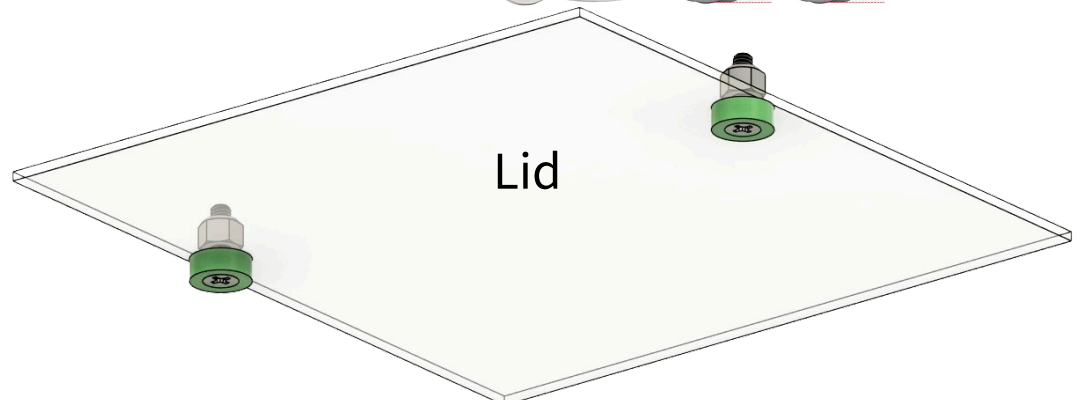
2.2 Use these screws to attach to plastic parts

The goal is to have the parts attract together

3: Attach magnets. Pay attention to Red & Green

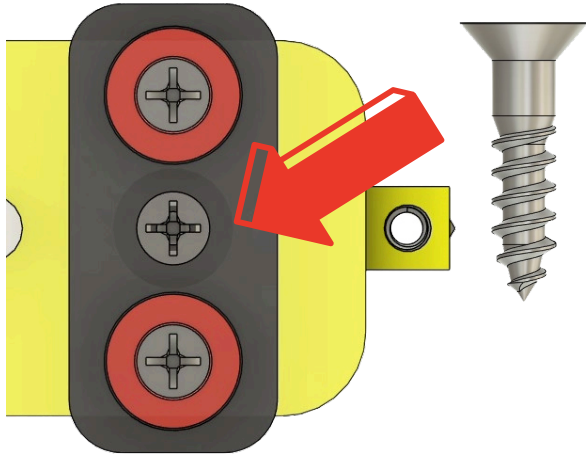


Screws & nuts for lid & top plate

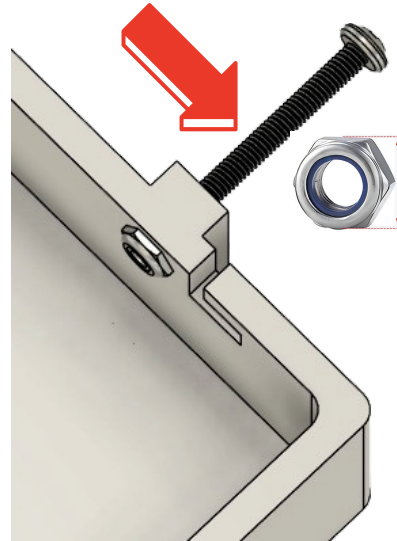


4: Drive motors

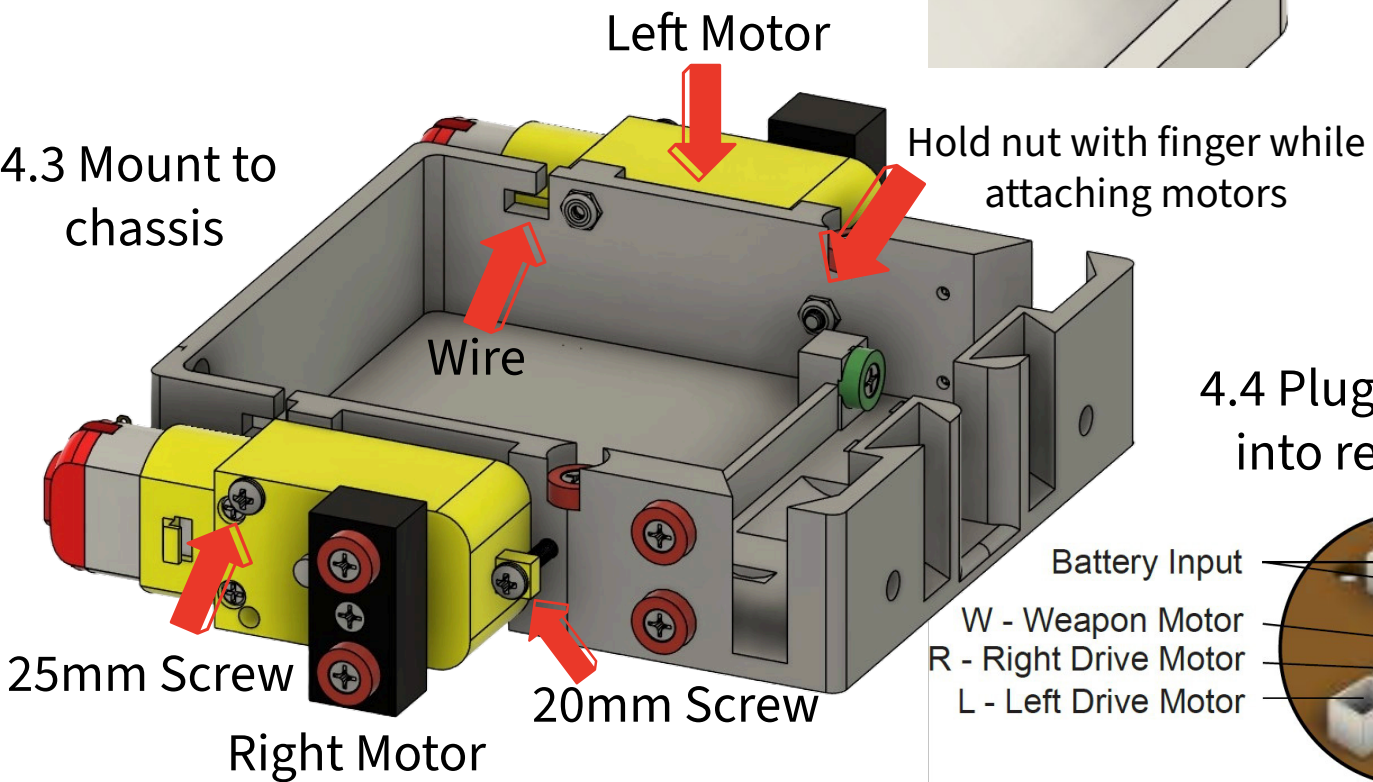
4.1 Use a hard surface to press wheel hub to motor shaft



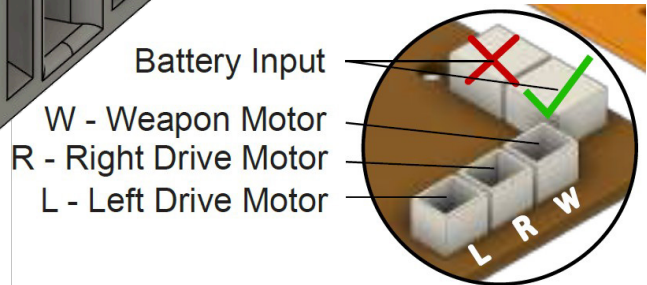
4.2 Use one of the screws to guide the press fit nuts into chassis



4.3 Mount to chassis



4.4 Plug motors into receiver



5: Remote

